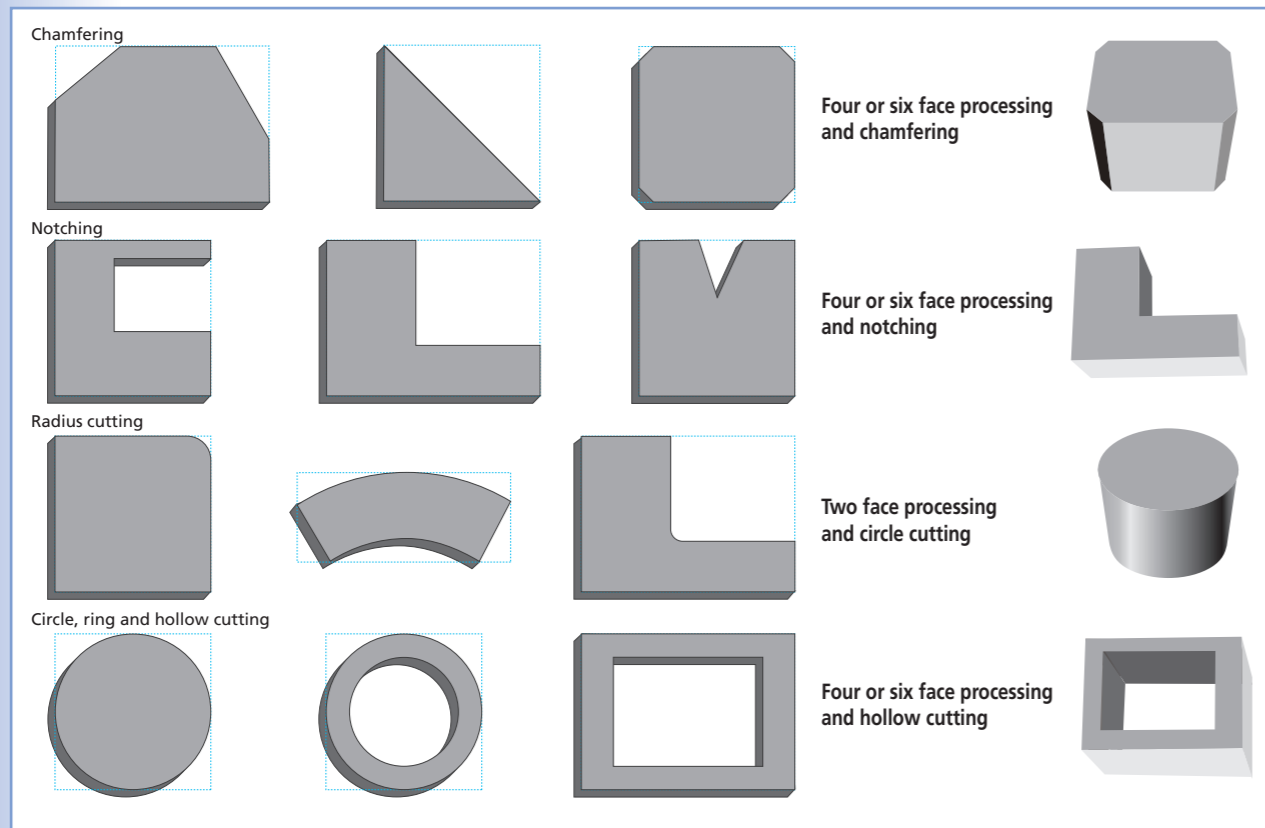


Special Form Cutting for Aluminum

Examples of Forms

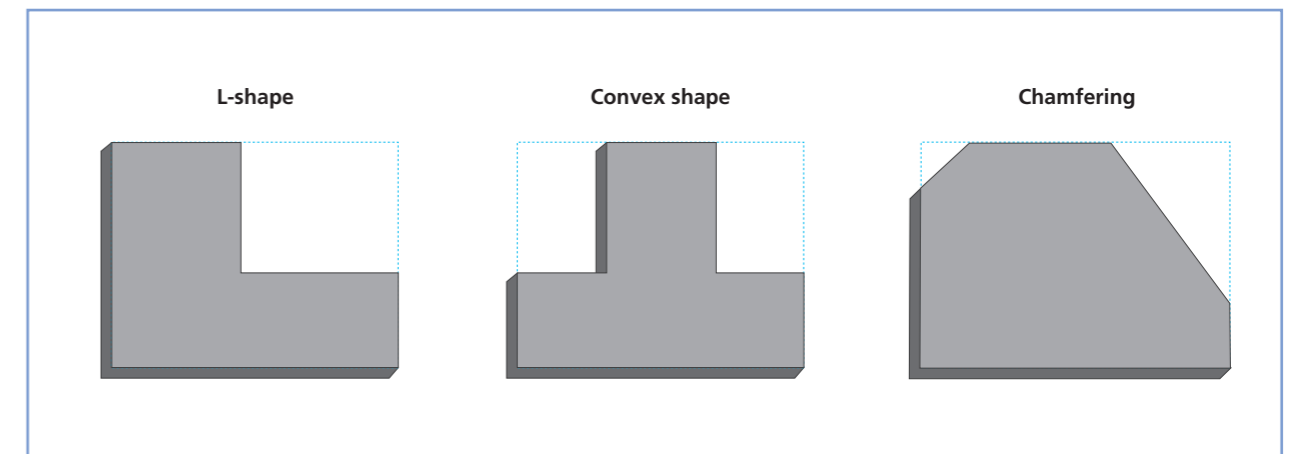
Examples of forms in milling and special form cutting



* The width for chamfering is 10 mm or more and the radius for radius cutting is 50 mm or more.

Irregular shape cutting with a stainless steel band saw

Examples of irregular shape cutting

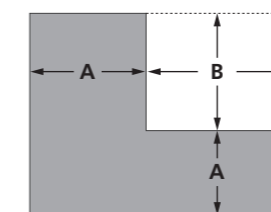


Cutting range and cutting dimension tolerance (mm)

Cutting range and cutting dimension tolerance (mm)

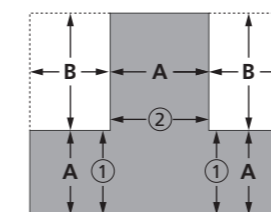
Cutting	Base metal size	Cutting range	Cutting dimension tolerance
Circle cutting		MIN ϕ 100 MAX ϕ 1,500 (ϕ 980, ϕ 1,230)	Diameter of ϕ 500 or less -0 ~ +3 Other than above -0 ~ +4
Special form cutting		MIN 50x50 MAX 1,525x2,500	For any size: Thickness deviation -0 ~ +3
Milling	1,525x3,050 1,000x2,000 1,250x2,500 1,250x3,050	Varies depending on the form Please contact us in advance on each occasion.	Special form cutting: -0 ~ +3 Milling: Subject to the milling tolerance
Ring cutting		Plate thickness: 1t to 150t Exterior diameter: ϕ 100 to ϕ 1,500 (ϕ 1,230, ϕ 1,000) Interior diameter: ϕ 70 to ϕ 1,470 (ϕ 1,200, ϕ 970) Ring width: 15 to 490	Diameter of ϕ 500 or less -0 ~ +3 Other than above -0 ~ +4
Hollow cutting		Plate thickness: 1t to 150t maximum, depending on the form Exterior dimensions: 100 x 100 to 1,525 x 1,525 Hollow: 70 or more in side length or ϕ 70 or more in diameter Corner radius: None or at least 20	For any size: Thickness deviation -0 ~ +4

* The cutting range for special form cutting specifies the dimensions of the circumscribed rectangle. Even within the aforementioned range, cutting may not be available depending on the form. Please contact us in advance.



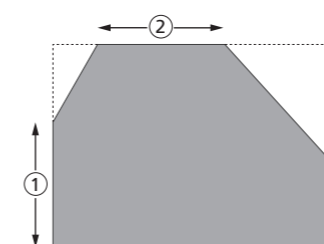
L-shape cutting

- Cutting range
- Plate thickness: 4 t to 65 t
- Plate size: from a minimum of 30 x 30 to a maximum of 420 x 420
- A: 15 mm or more B: 5 mm or more
- Cutting tolerance: -0 to +3 mm



Convex shape cutting

- Cutting range
- Plate thickness: 4 t to 65 t
- Plate size: from a minimum of 30 x 30 to a maximum of 420 x 420
- A: 15 mm or more B: 5 mm or more
- Cutting tolerance: (1) -0 to +3 mm, (2) -0 to +6 mm



Chamfering

- Cutting range (from a minimum of 75 x 75 to a maximum with a diagonal length of 550)
- Plate thickness: 4 t to 65 t
- Length: 500 or less for a width range of 75 to 200 (both inclusive)
- 420 or less for a width range of 201 to 350 (both inclusive)
- Corner: 10 C or more
- Cutting tolerance: (1) -0 to +3 mm, (2) -0 to +6 mm

* A combination of milling and irregular shape cutting may be available depending on the shape. Please contact us in advance to discuss your individual needs.